



Established 1784
Bramah



BRAMAH - KAYE
ENGLISH MORTICE LOCKS

BRAMAH - KAYE MORTICE LOCKS

The Bramah - Kaye range of English Mortice Door Locks are made in England

Bramah + Bramah - Kaye

Bramah is a **specialist lock manufacturer** known for the manufacture of high quality, high security deadlocks and rim cylinders since 1784.

The addition of the Bramah - Kaye range of products **enhances the solutions** Bramah is able to offer its customers, while continuing to offer products that will last the test of time.

The Bramah - Kaye Range

The Range comprises a single size lock case designed to provide the full range of functionality required in **domestic** or **commercial** situations, while being operated by most brands of Euro Profile Union Oval and Swiss Profile cylinders as well as Handles and or Escutcheons of your choice.

It is a **truly open lock system**, allowing most brands of cylinders and handles to be mixed and matched.

Functions

The most common forms of functionality include :-

Latch - (Page 4)

Nightlatch - (Pages 5-6) suitable for use with an Electric Release and an Access Control System.

Escape Nightlatch - (Pages 7-8) suitable for use with an Electric Release, Emergency Escape and an Access Control System.

Deadlock - (Page 9)

Sash Lock - (Page 10)

Escape Sash Lock - (Page 11)

Bathroom Lock - (Page 12)

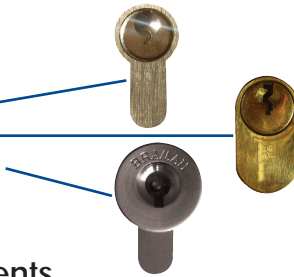
Key/Cylinder Options

When being used with a **Bramah key** the Swiss Profile Option must be used, when being used with **Bramah - Evva key**, the Euro Profile or Oval Option must be used.

BRAMAH - KAYE MORTICE LOCKS

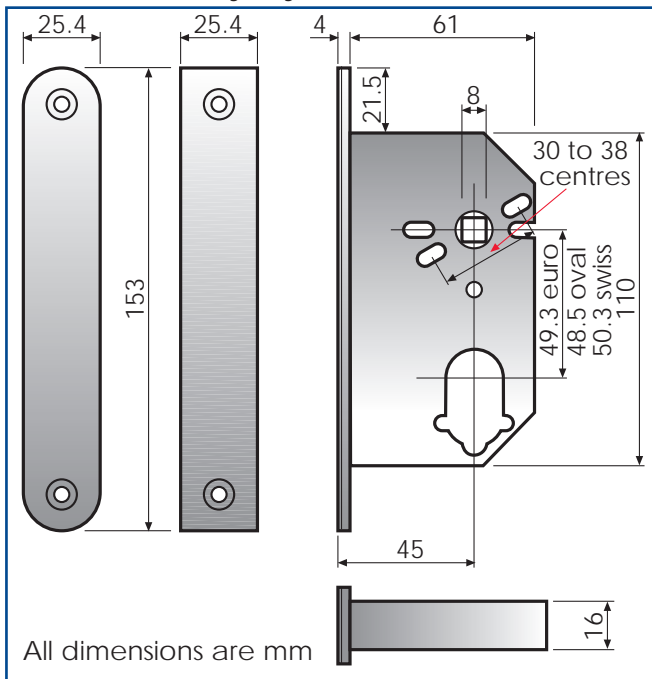
Important - When handles are being used with a single plate to also cover the cylinder, the following measurements are critical :-

- Euro Profile - Handle to profile centre - 49.30 mm
- Union Oval - Handle to profile centre - 48.50 mm
- Swiss Profile - Handle to profile centre - 50.30 mm

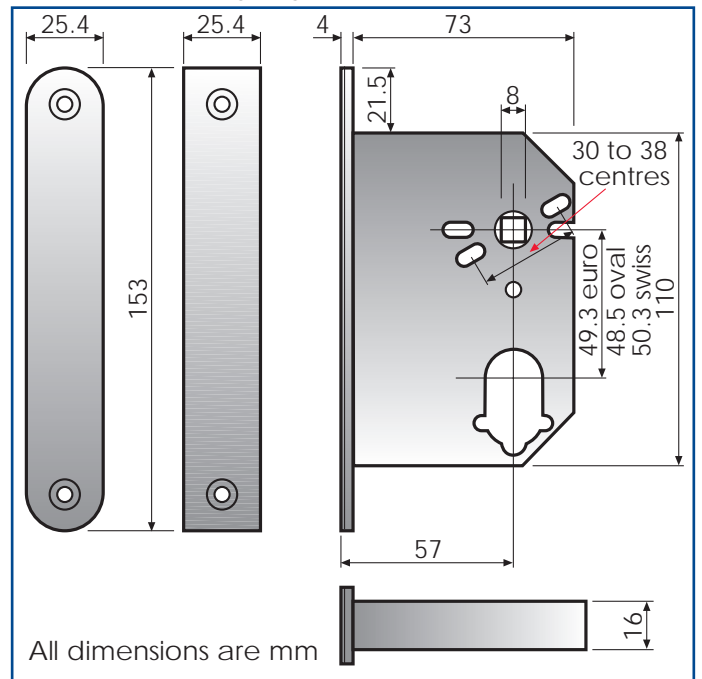


The Bramah - Kaye Lock Case Measurements

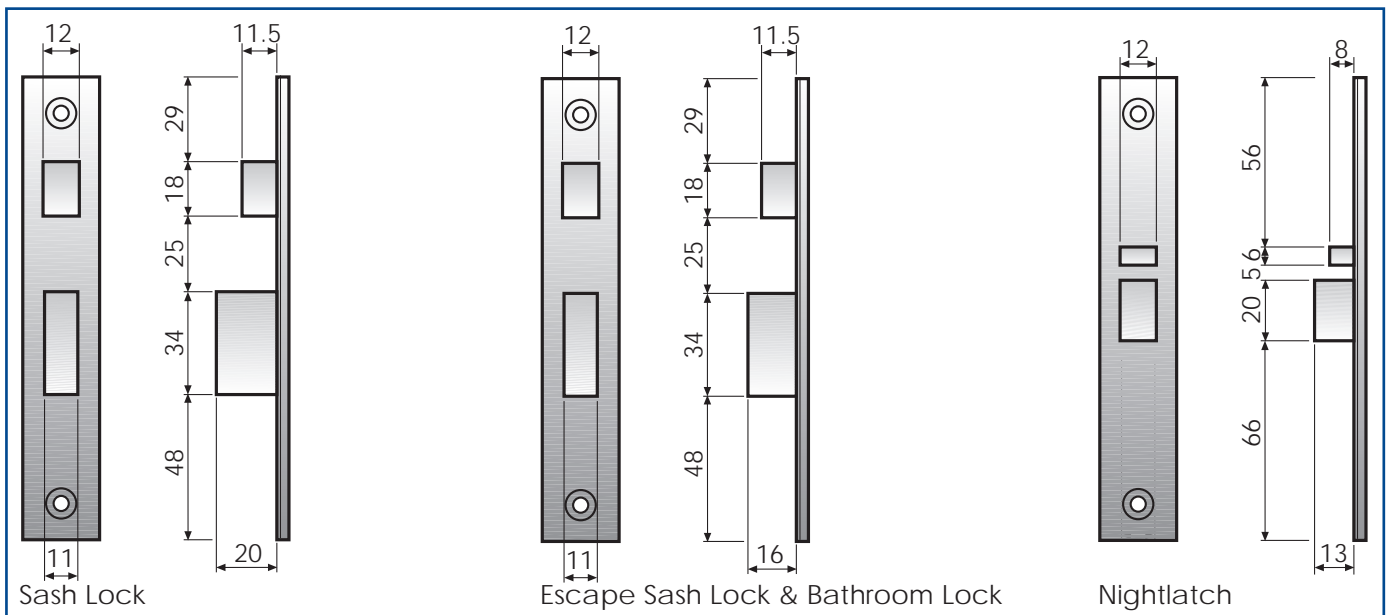
45 mm (1³/₄") Keyway Backset.



57 mm (2¹/₄") Keyway Backset.



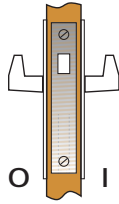
3000 Series (Different measurements for 2000 and 1000 exist)



BRAMAH - KAYE MORTICE LOCKS

Product Types, Operation and Options

- Product Type:** Latch.
Purpose: To automatically hold the door closed, but not locked.
Cylinders Used: None.
Operation: O - Depress handle to open - Outside.
 I - Depress handle to open - Inside.



Options Available:

Square Faceplate - Use Round Faceplate with Rebated Doors				
Steel Finish		Bolt	Case	Backset
B8596-400-U	45mm Mortice Latch - 2098	11.5	65	45
B8573-400-U	57mm Mortice Latch - 2098	11.5	77	57
Brass Finish		Bolt	Case	Backset
B8596-410-U	45mm Mortice Latch - 2098	11.5	65	45
B8573-410-U	57mm Mortice Latch - 2098	11.5	77	57

Round Faceplate - Always with rebate sets - see table below				
Steel Finish		Bolt	Case	Backset
B8596-500-U	45mm Mortice Latch - 2098	11.5	65	45
B8573-500-U	57mm Mortice Latch - 2098	11.5	77	57
Brass Finish		Bolt	Case	Backset
B8596-510-U	45mm Mortice Latch - 2098	11.5	65	45
B8573-510-U	57mm Mortice Latch - 2098	11.5	77	57

Rebate Sets Available:

Anodised Steel Finish - Only Works with Round Faceplates	
B8494-753-A	12mm Rebate Set 2000 or 3000 Series Sash Deadlock Latch
B8494-754-A	19mm Rebate Set 2000 or 3000 Series Sash Deadlock Latch
B8494-755-A	25mm Rebate Set 2000 or 3000 Series Sash Deadlock Latch
Anodised Brass Finish - Only Works with Round Faceplates	
B8494-763-A	12mm Rebate Set 2000 or 3000 Series Sash Deadlock Latch
B8494-764-A	19mm Rebate Set 2000 or 3000 Series Sash Deadlock Latch
B8494-765-A	25mm Rebate Set 2000 or 3000 Series Sash Deadlock Latch

All dimensions are in millimetres



Mortice Latch

